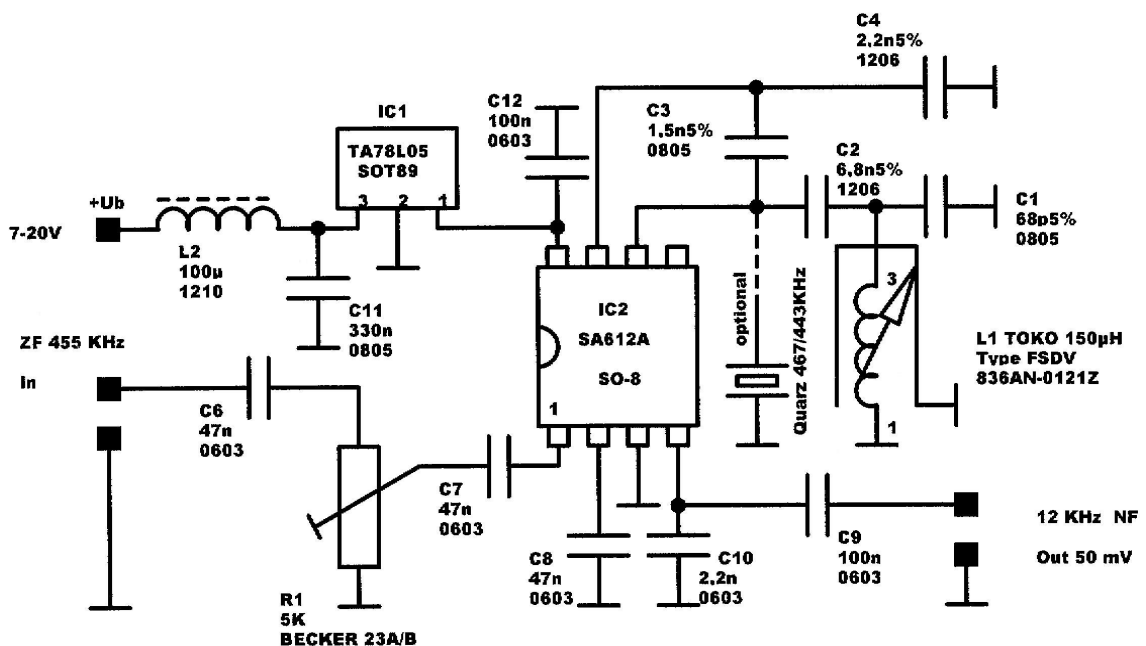
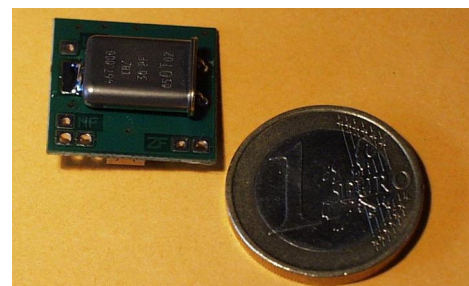
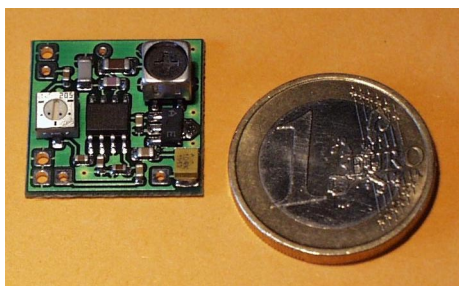


## DRM – Miniature Mixer Unit with crystal option

Universal downmixer unit from 455 KHz or 10,7 MHz to 12 KHz (input of a PC-soundcard), designed for modification of existing AM- broadcast receivers to be able of DRM- receiving by use of the Softwareradio from Fraunhofer Institut für Integrierte Schaltungen and other decodersoftware. Dimensions of the board 20x20x6,5mm ; oscillatorfrequency eligible 467KHz; 443KHz or 10,712 MHz. Power supply 7 to 20V. Current consumption < 6 mA . Optional crystal 467oder 443 KHz instead of LC; then 8,5mm high. At 10,712 MHz only crystal operation. Recommended value of output signal voltage: 25 to 50 mV r.m.s, not more than 100 mV r.m.s (DRM- Signal), mixer gain adjustable. Input Impedance 2 to 4,5 KOhms depended on adjusted mixer gain.



Sat- Service Schneider  
 Funk- u. Fernmeldetechnik  
 Landsberger Str. 62a  
 D-04736 Waldheim

Tel.: +493432792809

Fax: +493432790394

<http://www.sat-schneider.de>